



Thank you for purchasing this product. Before using the product, read through the user manual to ensure that you will use the product correctly. Please keep this manual for future reference.

■ Features

- Reproduce excellent wired sound quality with high-quality wireless technology
- Powerful and smooth dynamic capsule that can accurately capture sound
- Significantly reduce handling noise during operation
- Cardioid polar pattern reduces pickup of sounds from the sides and rear, improving isolation of desired sound source
- Multi-stage windscreen effectively controls popping, distortion from sibilant sounds and wind noise

■ Notes on use

- Do not directly touch or scratch the contact surface.
- When installing/removing the product, be sure to turn the power off the transmitter.
- When installing the product, do not forcibly install the product with strong force. The product may be damaged.

■ Safety precaution

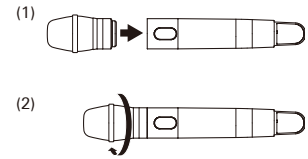
Although this product was designed to be used safely, failing to use it correctly may result in an accident. To ensure safety, observe all warnings and cautions while using the product.

■ Cautions for the product

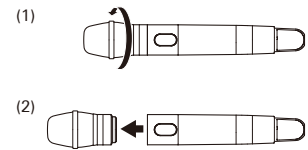
- Do not subject the product to strong impact to avoid malfunction.
- Do not disassemble, modify or attempt to repair the product.
- Do not handle the product with wet hands to avoid electric shock or injury.
- Do not store the product under direct sunlight, near heating devices or in a hot, humid or dusty place.

■ Installing/removing the product

■ How to install



■ How to install



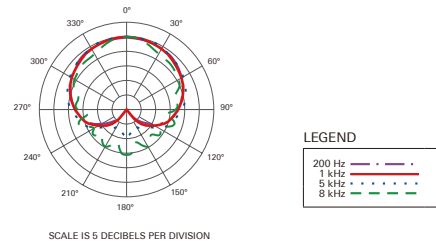
■ Specifications

Element	Dynamic
Polar pattern	Cardioid
Frequency Response	70 - 16,000 Hz *
Open Circuit Sensitivity	-57 dB (1.4 mV) re 1V at 1 Pa *
Weight	175 g

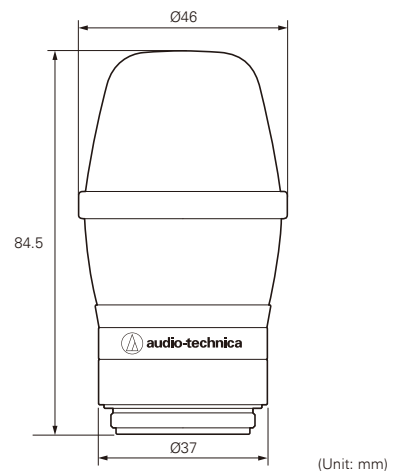
* Performance varies with a transmitter connected

For product improvement, the product is subject to modification without notice.

■ Polar pattern



■ Dimensions





感谢您购买本产品。在使用产品之前，请全文浏览本用户手册以确保您将正确地使用本产品。请妥善保存本手册，以供将来参考。

产品特点

- 通过配合高质的无线技术还原优良的有线话筒音色
- 强大而流畅的动圈收音头，能准确地捕捉声音
- 显着减少手持操作噪音
- 心形指向性设计，减低旁边及后方的噪声干扰，提高收音目标的隔离度
- 多层音头保护网结构，能加强收录爆破声时的保护，又不会影响高音的收音质量

使用注意事项

- 请勿直接触摸或划伤产品的信号接触面
- 在安装或移除产品时，务必确保将发射器的电源关闭
- 在安装产品时，请勿使用过大力量强行安装，否则可能会损坏产品

安全预防措施

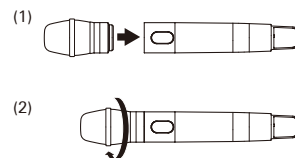
虽然本产品采用安全设计，但使用不当仍可能发生事故。为了确保安全，使用本产品时请注意全部警告和提醒。

本产品注意事项

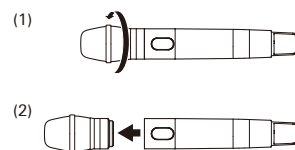
- 切勿让本产品遭受强烈冲击，以避免发生故障。
- 切勿拆开、改装或尝试维修本产品。
- 切勿用湿手握持本产品，以免触电或受伤。
- 切勿将本产品存放在阳光直射的地方、加热装置附近或者炎热、潮湿或多尘的地方。

安装/移除产品

安装方式



移除方式



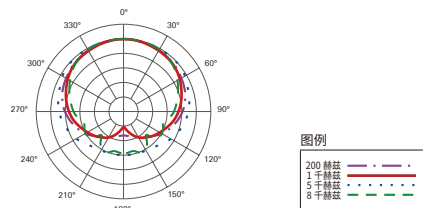
规格

元件	动圈式
指向性	心形指向性
频率响应	70 - 16,000 Hz *
开路灵敏度	-57 dB (1.4 mV) 以 1V 于 1 Pa *
重量	175 克

* 性能会因连接的发射机而改变。

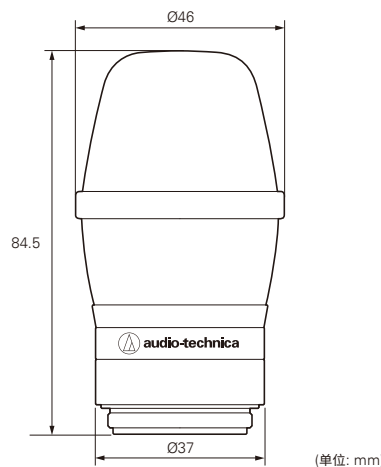
因产品改进，本产品会随时改装，恕不另行通知。

指向性



比例是每分隔线 5 分贝

尺寸



(单位: mm)